



Item No. _____

444

Shake Freezer

Two Flavor

Features

Serve any two flavors of a wide variety of frozen beverages, like shakes and smoothies, with the assurance of safe product temperatures for dairy products.

Freezing Cylinder

Two, 7 quart (6.6 liter).

Refrigerated Mix Hopper

Two, 20 quart (18.9 liter). Separate hopper refrigeration (SHR) maintains mix below 41°F (5°C).

Indicator Lights

Add Mix light alerts the operator to add mix.

Solid State Controls

Thermistor control precisely monitors temperature and maintains consistent quality in product texture through solid state technology.



Standard 6



SA2650



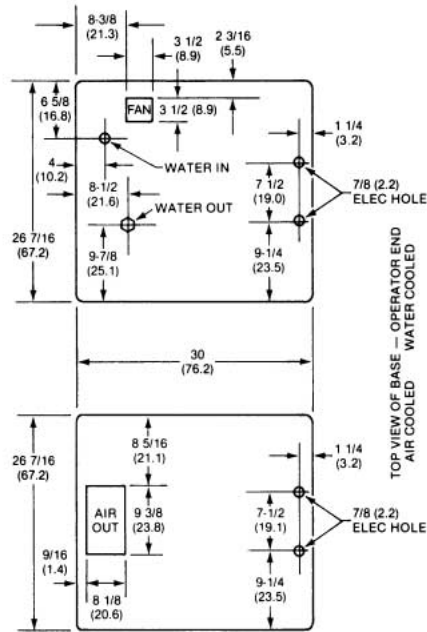
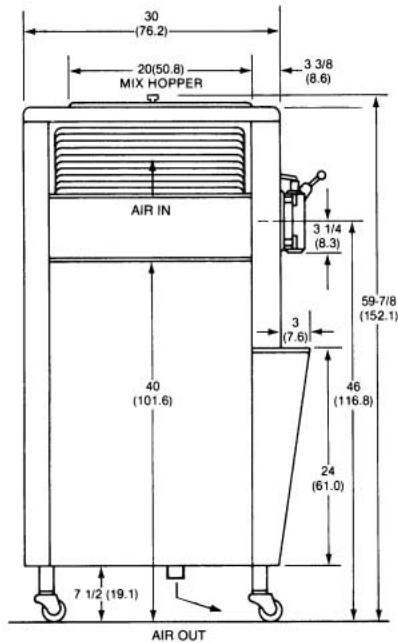
Selected 50
Hz. Models

Rockton, Illinois 61072
800-255-0626
Phone 815-624-8333 Fax 815-624-8000
www.taylor-company.com
e-mail: info@taylor-company.com

International Office
Taylor Company S.r.l.
Roma, Italy
Tel: **+39-06-420-12002** Fax: +39-06-420-12034
e-mail: romeoff@taylor-company.com

ISO 9001:2000
Registered Firm

444 Shake Freezer



444

Weights	lbs.	kgs.
Net	645	292.6
Crated	735	333.4
	cu. ft.	cu. m.
Volume	48.1	1.3

Dimensions	in.	mm.
Width	26-7/16	672
Depth	33	838
Height	59-7/8	1521
Floor Clearance	7-1/2	191

*Mounted on standard casters

Electrical	Maximum Fuse Size		Minimum Circuit Ampacity		Poles (P) Wires (W)
	Left	Right	Left	Right	
208-230/60/1 Air	30	25	22	18	2P 3W
208-230/60/1 Water	25	25	19	18	2P 3W
208-230/60/3 Air	20	15	15	11	3P 4W
208-230/60/3 Water	15	15	12	11	3P 4W
220-240/50/1 Air	20	15	16	12	2P 3W
380-415/50/3N~ Air	10	7	10	5	4P 5W

This unit may be manufactured in other electrical characteristics. Refer to the local Taylor Distributor for availability. (For exact electrical information, always refer to the data label of the unit.)

Bidding Specs

Electrical: Volt _____ Hz _____ ph _____
 Neutral: Yes No **Cooling:** Air Water NA

Options: _____

Specifications

Electrical

Two dedicated electrical connections are required. See the Electrical chart for the proper electrical requirements. Manufactured to be permanently connected. Consult your local Taylor distributor for cord & receptacle specifications as local codes allow.

Beater Motor

Two, 1.0 HP

Refrigeration System

Two, 11,000 BTU/hr. R404A.
 Separate Hopper Refrigeration (SHR), One, 400 BTU/hr. R134a. (BTUs may vary depending on compressor used.)

Air Cooled

Minimum 3" (76 mm) around all sides. Install the deflector provided to prevent recirculation of warm air. Minimum air clearances must be met to assure adequate air flow for optimum performance.

Water Cooled

Water inlet and drain connections under side of base 1/2" FPT.

Options

- Door Spinner
- Faucet
- Foot Pedal
- Panel Spinner
- Syrup Rail (side mount)

Continuing research results in steady improvements; therefore, these specifications are subject to change without notice.



Taylor Company,
 A Division of Carrier Commercial Refrigeration, Inc.
 Rockton, Illinois 61072
 815-624-8333 **800-255-0626** Fax 815-624-8000
www.taylor-company.com

Printed in U.S.A.
 026183-ADV 12/04